

Advantage Plus

by **TXR**

Distributed By:

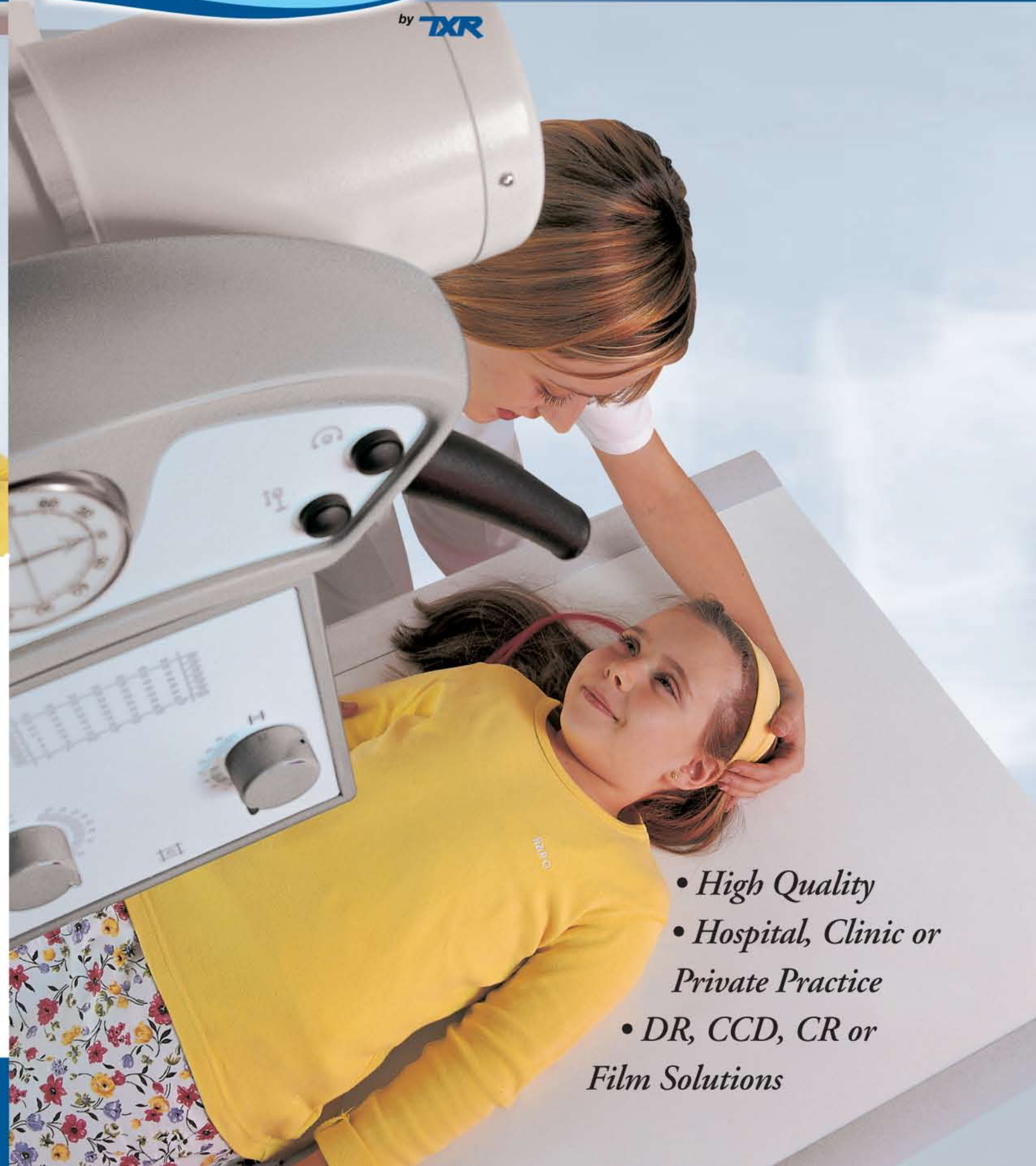
OPTI-RAD Radiographic Suite



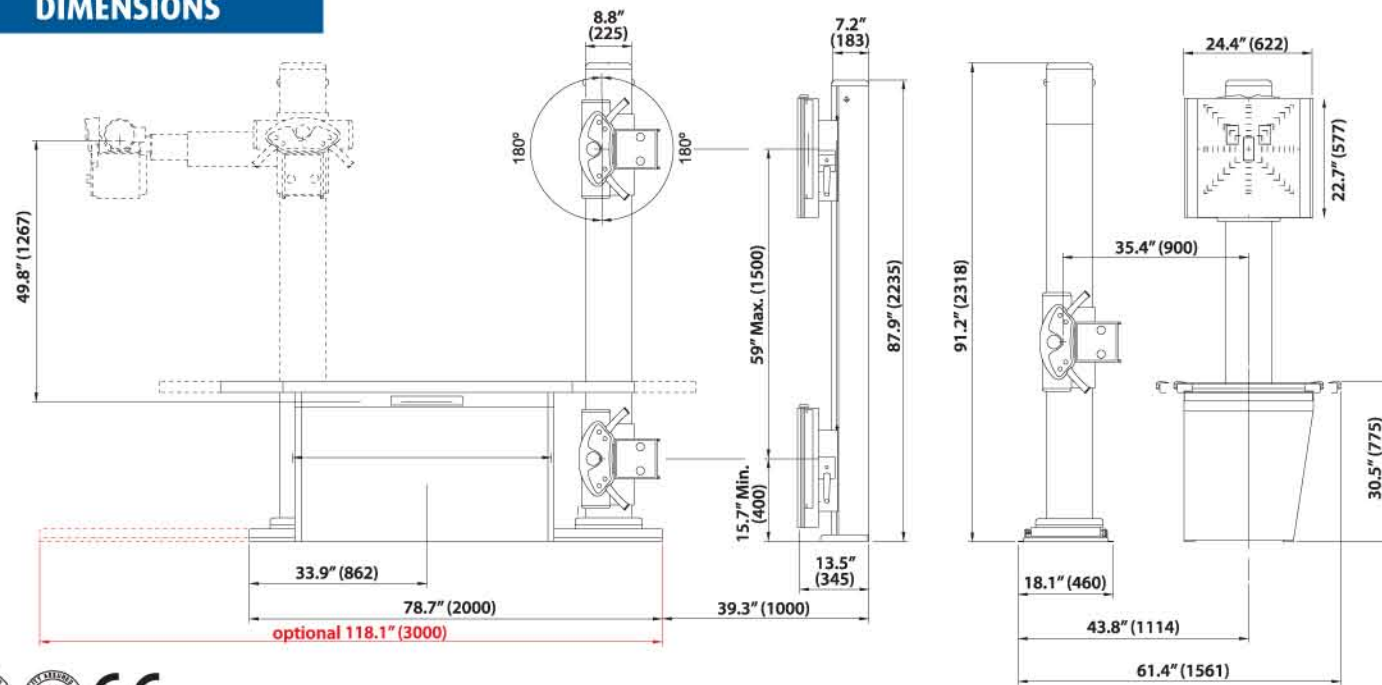
Advantage Plus

by **TXR**

OPTI-RAD Radiographic Suite



DIMENSIONS



TXR • 5481 Skyland Blvd., E • Cottondale, AL 35453

Phone: 205-556-3803 • Fax: 205-556-3824 • 800-897-9729 • www.txr.com • sales@txr.com

COMPLIES WITH FDA AND PRODUCT SAFETY REQUIREMENTS. • SPECIFICATIONS SUBJECT TO CHANGE WITHOUT NOTICE

0510 ORRS

- *High Quality*
- *Hospital, Clinic or Private Practice*
- *DR, CCD, CR or Film Solutions*

Advantage Plus

by **TXR**

OPTI-RAD Radiographic Suite

OPTI-RAD

The OPTI-RAD is an affordable general purpose radiographic system that can be configured with a choice of table and tube stand to accomplish a wide range of table, wall stand, and wheel chair examinations.

The OPTI-RAD was designed to deliver high performance imaging for a demanding environment. The solid design ensures outstanding reliability for the busy hospital and private practice settings.



AFFORDABILITY, DURABILITY AND FLEXIBILITY



LATERAL EXAMS

The tube stand of the OPTI-RAD can be easily moved and rotated so that the positioning for lateral exposures is very fast and accurate.



EXTENSIVE COVERAGE

- Wheelchair Patients
- Chest exams
- Leg exams
- Weight bearing exams
- Table exams



VERSATILITY



Advantage Plus

by **TXR**

OPTI-RAD Radiographic Suite

FAR REACHING DOWN TRAVEL



The counterbalanced tube stand provides smooth vertical movement. For exposures using the wall stand, the tube column can be moved past the table on either the right or left-hand side. On either side, the vertical range of movement of the tube assembly can be lowered to a source-to-floor distance of 15.75".



STANDARD FEATURES

FLOOR MOUNT TUBE STAND:

- 11.8" Transverse travel
- 180° Column rotation
- Vertical travel 15.7" to 74.75"
- Electromagnetic locks
- 86.6" Floor track provides 78.7" longitudinal tube travel

FIXED HEIGHT 4 WAY FLOAT TOP TABLE:

- 78.75" x 28.5" Table top
- 440 Lb. patient load
- 23.5" Longitudinal and 6.7" lateral table top movement
- 20" Bucky travel
- 63.4" Radiographic coverage
- Super speed bucky with 10:1 ratio, 103 line grid
- Electromagnetic locks

WALL STAND:

- Floor-to-Wall mounted
- 15.75" to 75" Vertical travel
- Electromagnetic locks
- Super speed bucky with 10:1 ratio, 103 line grid

OPTIONAL ELEVATING TABLE

- 86.5" x 31.5" (220 cm x 80 cm) Table top
- 43.3" (110 cm) Longitudinal and 9.5" (24 cm) lateral table top movement
- 20.25" (52 cm) Vertical travel



OPTIONS:

- 118" Floor track for floor mount tubestand
- Digital readout of SID and angulation on floor mount tube stand
- 750 lb. patient load elevating table
- Various grids
- Lateral cassette holder
- Hand grips
- Ion chambers
- DR panels